

DOT SURFACE 80

IP66 **PIXEL**

A vivid fusion of colors,
A high purity of white,
Extreme smooth chromatic transition due
to automated DMX control system,
Max 8w/dot for skyscraper outline,
Dot spacing can be customized.



RGBW

11000111
00111111
01101000
01011111
10100000

Dynamic
Control



Dimmable



IP66



Easy
Installation



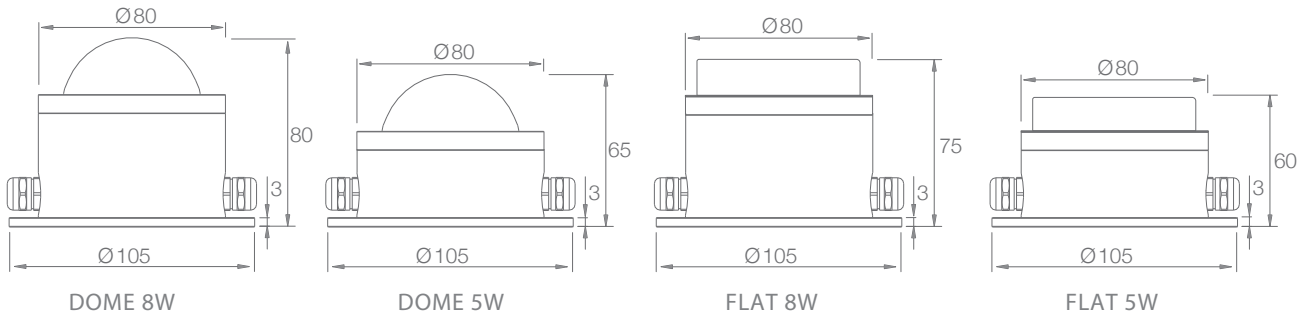
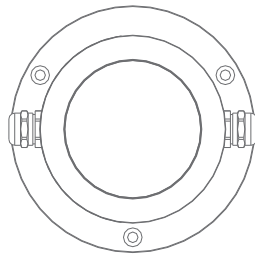
SPECIFICATION

MODEL	› DOT SURFACE 80
OPERATING VOLTAGE	› 24V DC
POWER CONSUMPTION	› 5W, 8W
LED TYPE	› SMD
COLOR RANGE	› 2700K,3000K,4000K,5000K,Tunable White,RGB,RGBW
PIXEL	› 25 Dots Per Connection, Max spacing 1000mm
SYSTEM EFFICIENCY	› 55lm/W@30000K
FWHM	› 150°
MATERIAL	› Aluminum + PMMA
OPERATING TEMPERATURE	› -20°C ~ +55°C
STORAGE TEMPERATURE	› -25°C ~ +60°C
LIFE TIME	› 50,000 hours/L70 at 25°C
CONNECTION	› Quick-Plug
DIMENSIONS	› Φ80*80(H)mm(DOME 8W),Φ80*65(H)mm(DOME 5W), Φ80*75(H)mm(FLAT 8W),Φ80*60(H)mm(FLAT 5W),
CABLE LENGTH	› 500mm
WATER PROOF	› IP66
CONTROL	› ON/OFF, DMX
LIST	› CE

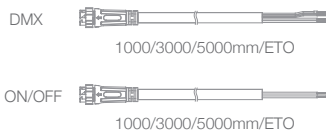
ORDER CODE	MODEL	UNIT	PIXEL	POWER	CCT	SPACING	OPTICS	VOLTAGE	CONTROL	COVER
EXAMPLE	DOT SURFACE 80	- 25	- 25	- 8	- RGBW	- 600	- 120	- 24	- DMX	- DOME

DIMENSIONS

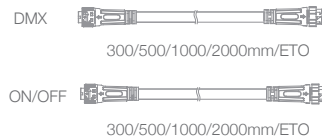
Unit: mm



Leader Cable



Jumper Cable



OPTIC SELECTION



150°

LED	Lumens	Watts	Efficacy
WHITE	391.50	5.00	78.3

CenterBeamLux	Illuminance at Distance
815.60 lx	0.8m
297.92 lx	1.7m
74.48 lx	2.5m
29.77 lx	3.3m
14.91 lx	4.2m
9.89 lx	5.0m

3000K

■ Ver. Spread: 164.6° ■ Horiz. Spread: 160.0°



150°

LED	Lumens	Watts	Efficacy
RGBW	225.95	5.00	45.19
R	40.59	0.93	44.00
G	77.31	1.35	57.13
B	12.20	1.27	9.58
W	100.05	1.45	69.00

CenterBeamLux	Illuminance at Distance
493.20 lx	0.8m
178.18 lx	1.7m
44.54 lx	2.5m
17.81 lx	3.3m
8.75 lx	4.2m
5.91 lx	5.0m



■ Ver. Spread: 164.6° ■ Horiz. Spread: 160.0°