

FOUNTAIN NOZZLE 150

IP68 **LANDSCAPE**

Specially designed for 360° fountain jet installation,
The body is made from marine grade Stainless Steel 316,
Various colors are available,
Safe voltage: 12V DC.



RGBW



Dimmable



IP68



Easy
Installation

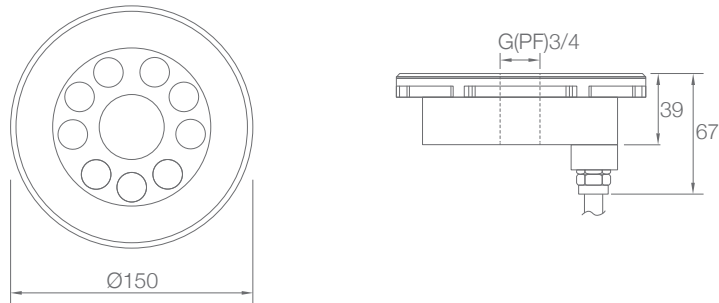
SPECIFICATION

MODEL	▶ FOUNTAIN NOZZLE 150
OPERATING VOLTAGE	▶ 12V DC
POWER CONSUMPTION	▶ 9W, 18W Max(Underwater Only)
LED TYPE	▶ High Power LED
COLOR RANGE	▶ 2700K,3000K,4000K,5000K,Tunable White,RGB,RGBW
CRI	▶ 80min
SYSTEM EFFICIENCY	▶ 74lm/W@3000K
FWHM	▶ 6° (Mono color), 12° (Mono color), 25°, 30°, 45°, 60°
MATERIAL	▶ Stainless Steel 316 + Tempered Glass
OPERATING TEMPERATURE	▶ -20°C ~ +55C
STORAGE TEMPERATURE	▶ -25°C ~ +60°C
LIFE TIME	▶ 50,000 hours/L70 at 25°C
DIMENSIONS	▶ Φ150*67(H)mm
CABLE LENGTH	▶ 3000mm, 5000mm
WATER PROOF	▶ IP68
SUBMERSIBLE DEPTH	▶ 1000mm Max
CONTROL	▶ ON/OFF, DMX, 0-10V Dim
LIST	▶ CE

ORDER CODE	MODEL	POWER	CCT	CRI	OPTICS	VOLTAGE	CONTROL	ACC
EXAMPLE	FOUNTAIN NOZZLE 150	- 18	- 3000K	- 80	- 6	- 12	- DMX	

DIMENSIONS

Unit: mm



OPTIC SELECTION



6°

LED	Lumens	Watts	Efficacy
WHITE	1134.41	18.00	63.02

CenterBeamLux	Illuminance at Distance
31486.28 lx	1.7m
7871.57 lx	3.3m
3498.48 lx	5.0m
1967.89 lx	6.7m
1259.45 lx	8.3m
874.62 lx	10.0m

■ Ver. Spread: 5.7° ■ Horiz. Spread: 5.7°



12°

LED	Lumens	Watts	Efficacy
WHITE	1300.60	17.50	74.32

CenterBeamLux	Illuminance at Distance
5468.43 lx	1.7m
1367.09 lx	3.3m
607.60 lx	5.0m
341.76 lx	6.7m
218.58 lx	8.3m
151.88 lx	10.0m

■ Ver. Spread: 11.7° ■ Horiz. Spread: 12.6°

3000K