

FOUNTAIN 163 ADJ

IP68 **LANDSCAPE**

Sophisticated and robust design,
The body is made from marine grade Stainless Steel 316
RGB, RGBW or RGBA are available,
Safe voltage: 12V DC.



RGBW



RDM



Dimmable



Extreme
Environments



IP68



Easy
Installation

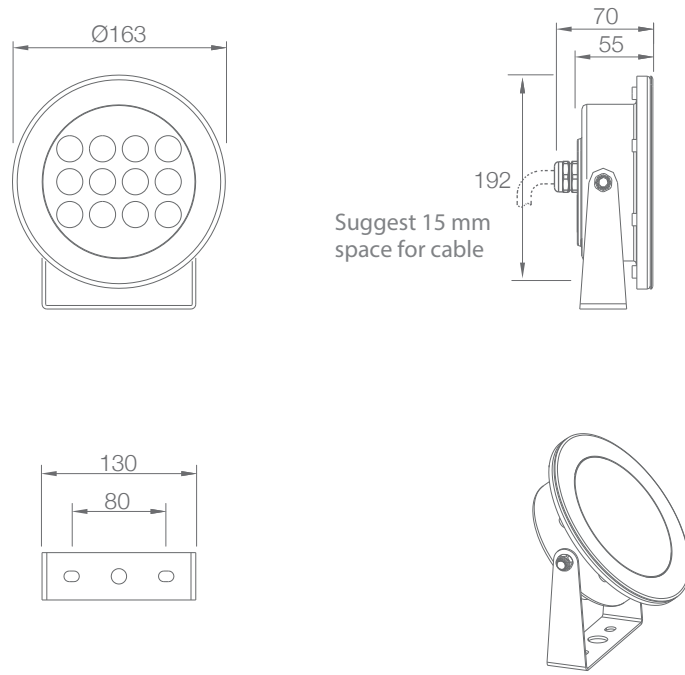
SPECIFICATION

| | |
|-----------------------|---|
| MODEL | ▶ FOUNTAIN 163 ADJ |
| OPERATING VOLTAGE | ▶ 12V DC |
| POWER CONSUMPTION | ▶ 25W Max(Underwater Only) |
| LED TYPE | ▶ High Power LED |
| COLOR RANGE | ▶ 2700K,3000K,3500K,4000K,5000K,RGB,RGBW,RGBA |
| SYSTEM EFFICIENCY | ▶ 64lm/W@3000K |
| FWHM | ▶ 6°, 12°, 20°, 30°, 45°, 10°*40° |
| MATERIAL | ▶ Stainless Steel 316 + Tempered Glass |
| OPERATING TEMPERATURE | ▶ -20°C ~ +55°C |
| STORAGE TEMPERATURE | ▶ -25°C ~ +60°C |
| LIFE TIME | ▶ 50,000 hours/L70 at 25°C |
| CONNECTION | ▶ Quick-Plug |
| DIMENSIONS | ▶ 163*70*192mm |
| CABLE LENGTH | ▶ 3000mm |
| WEIGHT | ▶ 2.0kg |
| WATER PROOF | ▶ IP68 |
| SUBMERSIBLE DEPTH | ▶ 3000mm Max |
| CONTROL | ▶ ON/OFF, DMX, 0-10V Dim |
| LIST | ▶ CE |

| ORDER CODE | MODEL | POWER | CCT | CRI | OPTICS | VOLTAGE | CONTROL | ACC |
|------------|------------------|-------|---------|------|--------|---------|---------|-----|
| EXAMPLE | FOUNTAIN 163 ADJ | - 25 | - 3000K | - 80 | - 12 | - 12 | - DMX | |

DIMENSIONS

Unit: mm



Suggest 15 mm space for cable

OPTIC SELECTION



6°

| LED | Lumens | Watts | Efficacy |
|-------|---------|-------|----------|
| WHITE | 1375.25 | 25.00 | 55.01 |

| CenterBeamLux | Illuminance at Distance |
|---------------|-------------------------|
| 6429.16 lx | 1.7m |
| 1595.04 lx | 3.3m |
| 717.45 lx | 5.0m |
| 396.61 lx | 6.7m |
| 250.83 lx | 8.3m |
| 175.85 lx | 10.0m |

■ Ver. Spread: 5.7° ■ Horiz. Spread: 5.7°



12°

| LED | Lumens | Watts | Efficacy |
|-------|---------|-------|----------|
| WHITE | 1575.84 | 24.50 | 64.32 |

| CenterBeamLux | Illuminance at Distance |
|---------------|-------------------------|
| 5468.43 lx | 1.7m |
| 1367.09 lx | 3.3m |
| 607.60 lx | 5.0m |
| 341.76 lx | 6.7m |
| 218.58 lx | 8.3m |
| 151.88 lx | 10.0m |

■ Ver. Spread: 10.7° ■ Horiz. Spread: 14.6°

3000K