

# FOUNTAIN 33 RECESSED

IP68 **LANDSCAPE**

Sophisticated and ultra-compact design,  
The main frame is composed of marine grade Stainless Steel 316,  
Various beam angles from 6 to 120 deg,  
Various colors are available,  
Safe voltage: 12V DC.



RGBW



Extreme Environments



Dimmable



IP68



Easy Installation



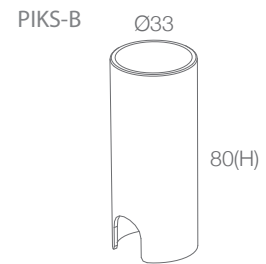
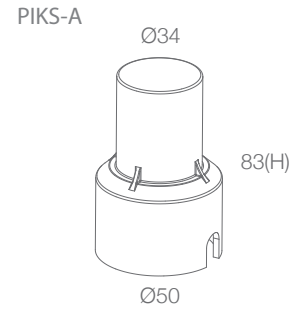
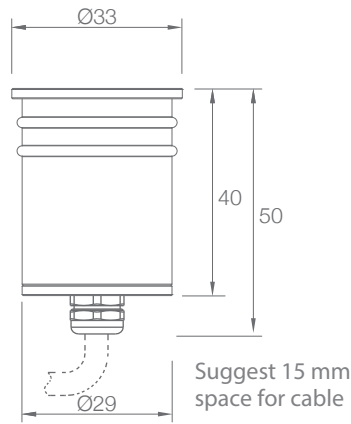
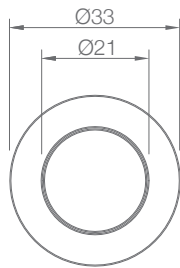
## SPECIFICATION

MODEL	▶ FOUNTAIN 33 RECESSED
OPERATING VOLTAGE	▶ 12V DC
POWER CONSUMPTION	▶ 1.5W, 2W, 3W Max(Underwater Only)
LED TYPE	▶ High Power LED
COLOR RANGE	▶ 2700K,3000K,4000K,5000K,6000K, Tunable White, RGB, RGBW
CRI	▶ 80min
SYSTEM EFFICIENCY	▶ 70lm/W@3000K
FWHM	▶ 6° (Mono color), 8° (Mono color), 20°, 40°, 120°
MATERIAL	▶ Stainless Steel 316 + Tempered Glass
PROTECTION	▶ IK08
OPERATING TEMPERATURE	▶ -20°C ~ +55°C
STORAGE TEMPERATURE	▶ -25°C ~ +60°C
LIFE TIME	▶ 50,000 hours/L70 at 25°C
DIMENSIONS	▶ Φ33*50(H)mm
CABLE LENGTH	▶ 3000mm
WATER PROOF	▶ IP68
SUBMERSIBLE DEPTH	▶ 3000mm Max
CONTROL	▶ ON/OFF, DMX, 0-10V Dim
LIST	▶ CE

ORDER CODE	MODEL	POWER	CCT	CRI	OPTICS	VOLTAGE	CONTROL	ACC
EXAMPLE	FOUNTAIN 33 RECESSED -	1.5	- 3000K	- 80	- 8	- 12	- ON/OFF	

# DIMENSIONS

Unit: mm



Pre installation Kit(PIKS)



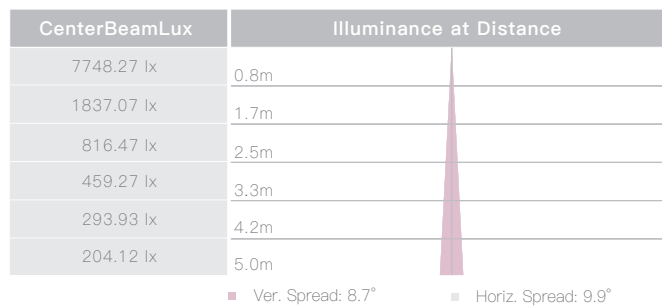
Cut Out 34mm

# OPTIC SELECTION



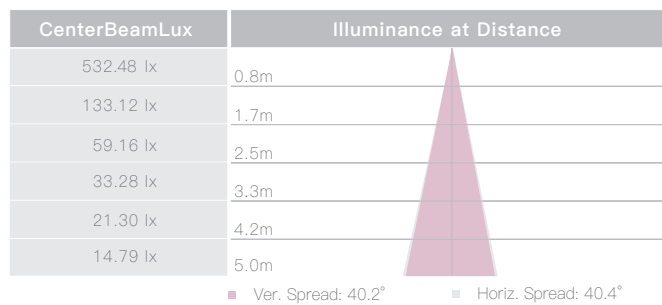
8°

LED	Lumens	Watts	Efficacy
WHITE	165.20	2.00	84.60



40°

LED	Lumens	Watts	Efficacy
WHITE	198.00	2.00	99.00



3000K