

FLEX DOT 26

IP66 **PIXEL**

- A vivid fusion of colors,
- A high purity of white,
- Extreme smooth chromatic transition power by automated DMX to SPI control system,
- Max 0.5w/dot for skyscraper outline,
- Dot spacing can be customized.



RGBW

11000111
00111111
01101000
01011111
10100000

Dynamic
Control



Dimmable



IP66



Easy
Installation



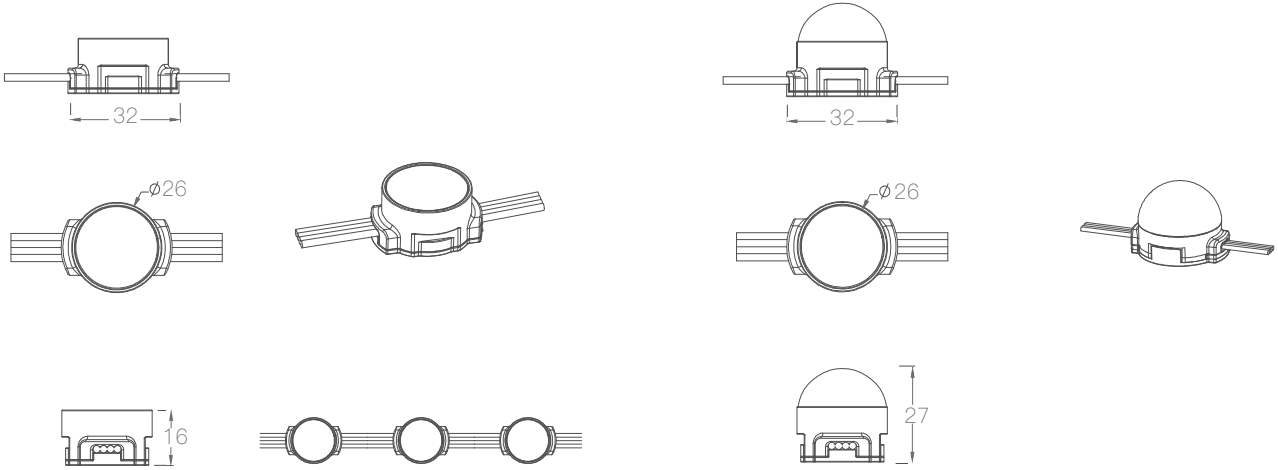
SPECIFICATION

MODEL	▶ FLEX DOT 26
OPERATING VOLTAGE	▶ 12V DC
POWER CONSUMPTION	▶ 0.5W Max
LED TYPE	▶ SMD
COLOR RANGE	▶ 2700K,3000K,4000K,5000K,Tunable White,RGB,RGBW
PIXEL	▶ 32 Dots Per Connection, Max spacing 500mm
SYSTEM EFFICIENCY	▶ 64lm/W@3000K
FWHM	▶ 120°
MATERIAL	▶ Aluminum + PC
OPERATING TEMPERATURE	▶ -20°C ~ +55°C
STORAGE TEMPERATURE	▶ -25°C ~ +60°C
LIFE TIME	▶ 50,000 hours/L70 at 25°C
CONNECTION	▶ Quick-Plug
DIMENSIONS	▶ Φ26*16(H)mm (Flat Clear Cover) ▶ Φ26*27(H)mm (Dome Frosted Cover)
CABLE LENGTH	▶ 300mm
WATER PROOF	▶ IP66
CONTROL	▶ DMX to SPI (Remote)
LIST	▶ CE

ORDER CODE	MODEL	UNIT	PIXEL	POWER	CCT	SPACING	OPTICS	VOLTAGE	CONTROL	COVER
EXAMPLE	FLEX DOT 26	- 32	- 32	- 0.5	- RGBW	- 500	- 120	- 12	- SPI	- DOME

DIMENSIONS

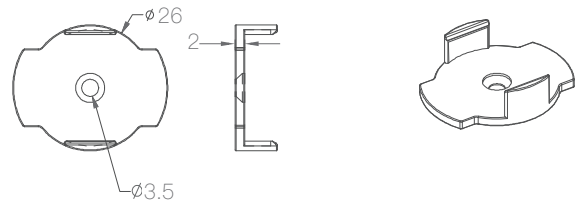
Unit: mm



Leader Cable



Mounting clip



OPTIC SELECTION



120°

LED	Lumens	Watts	Efficacy
WHITE	21.81	0.50	43.62

CenterBeamLux	Illuminance at Distance
41.51lx	1.8m
10.38lx	3.7m
4.61lx	5.5m
2.59lx	7.3m
1.66lx	9.2m
1.15lx	11.0m

■ Ver. Spread: 140.0° ■ Horiz. Spread: 140.1°

2700K



120°

LED	Lumens	Watts	Efficacy
WHITE	32.02	0.50	64.06

CenterBeamLux	Illuminance at Distance
60.88lx	1.8m
15.22lx	3.7m
6.76lx	5.5m
3.80lx	7.3m
2.44lx	9.2m
1.69lx	11.0m

■ Ver. Spread: 140.0° ■ Horiz. Spread: 140.1°

3000K