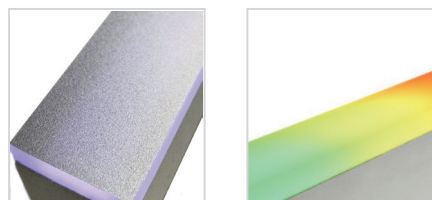
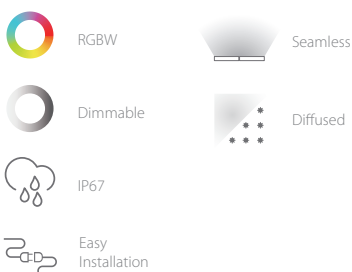


PIXEL MAX SLIM

IP66 **PIXEL**

The unique milky cover offers smooth light without any visible LED hotspots,
 The 3 steps bin selection provides uniform light output upon request,
 Ultra slim body results in easy installation.



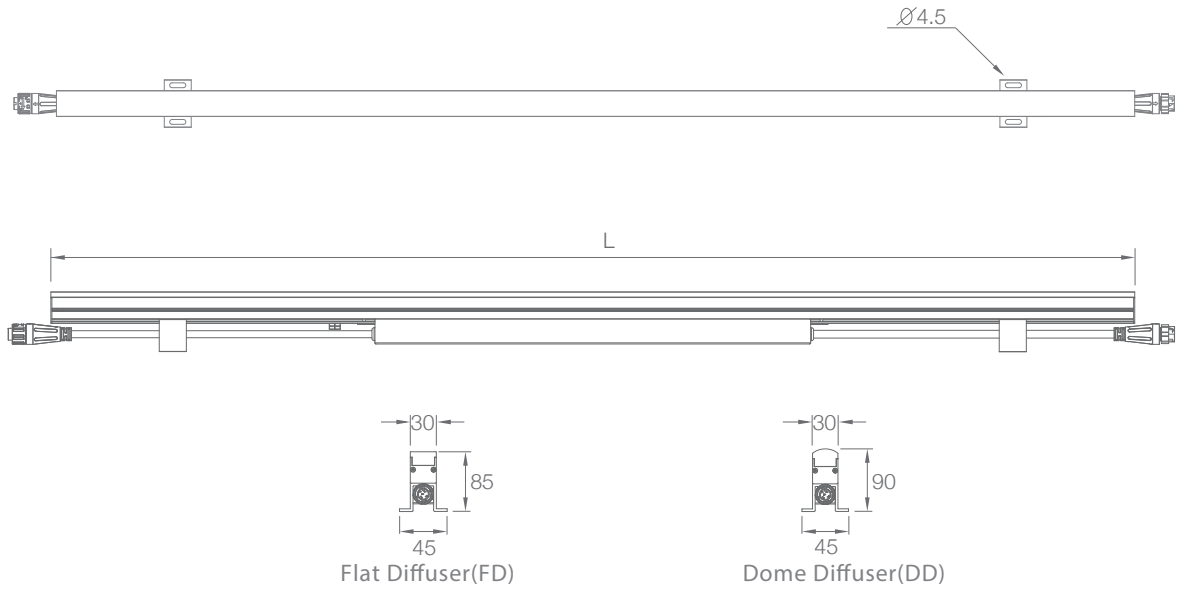
SPECIFICATION

MODEL	‣ PIXEL MAX SLIM
OPERATING VOLTAGE	‣ 24V DC, 48V DC
POWER CONSUMPTION	‣ 5.5W/305mm, 22W/1220mm
LED TYPE	‣ SMD
COLOR RANGE	‣ 2400K,2700K,3000K,4000K,5000K,Tunable White,RGB,RGBW
PIXEL	‣ 8 Pixels/12 Pixels/24 Pixels/36 Pixels/1220mm
CRI	‣ 90min, 80min
SYSTEM EFFICIENCY	‣ 61lm/W@3000K
FWHM	‣ 120°
MATERIAL	‣ Aluminum + PMMA/Metallic Skin
OPERATING TEMPERATURE	‣ -20°C ~ +55°C
STORAGE TEMPERATURE	‣ -25°C ~ +60°C
LIFE TIME	‣ 50,000 hours/L70 at 25°C
CONNECTION	‣ Quick-Plug
DIMENSIONS	‣ 1220(L)*30(W)*85(H)mm(Flat Diffuser), 305/610/1000mm available 1220(L)*30(W)*90(H)mm(Dome Diffuser), 305/610/1000mm available
CABLE LENGTH	‣ 300mm
WATER PROOF	‣ IP66
CONTROL	‣ ON/OFF,DMX 0-10V Dim
LIST	‣ CE

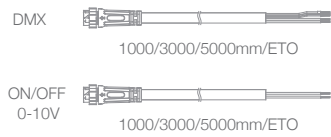
ORDER CODE	MODEL	LENGTH	PIXEL	POWER	CCT	CRI	OPTICS	VOLTAGE	CONTROL	COVER
EXAMPLE	PIXEL MAX SLIM	- 1220	- 12	- 22	- 3000K	- 80	- 120	- 24	- DMX	

DIMENSIONS

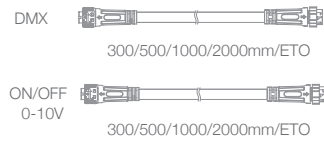
Unit: mm



Leader Cable



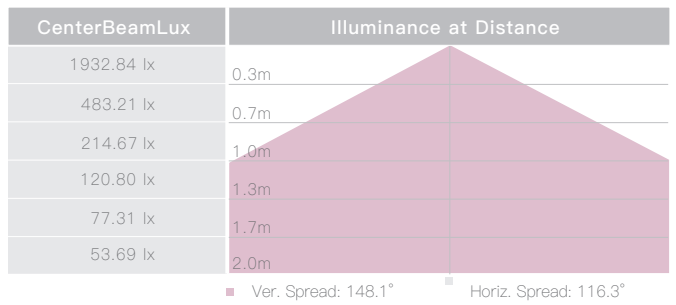
Jumper Cable



OPTIC SELECTION



LED	Lumens	Watts	Efficacy
WHITE	1005.48	18.00	55.86



LED	Lumens	Watts	Efficacy
WHITE	1106.64	18.00	61.48

