

MICRO SPOT

IP67 **LANDSCAPE**

Equipped with state of art and ultra-compact design,
The system includes various mounting methods including
free standing,dry wall,in ground style,
High efficacy and high CRI,
Excellent glare control and optic performance.



Dimmable



Extreme
Environments



Adjustable



IP67



Easy
Installation

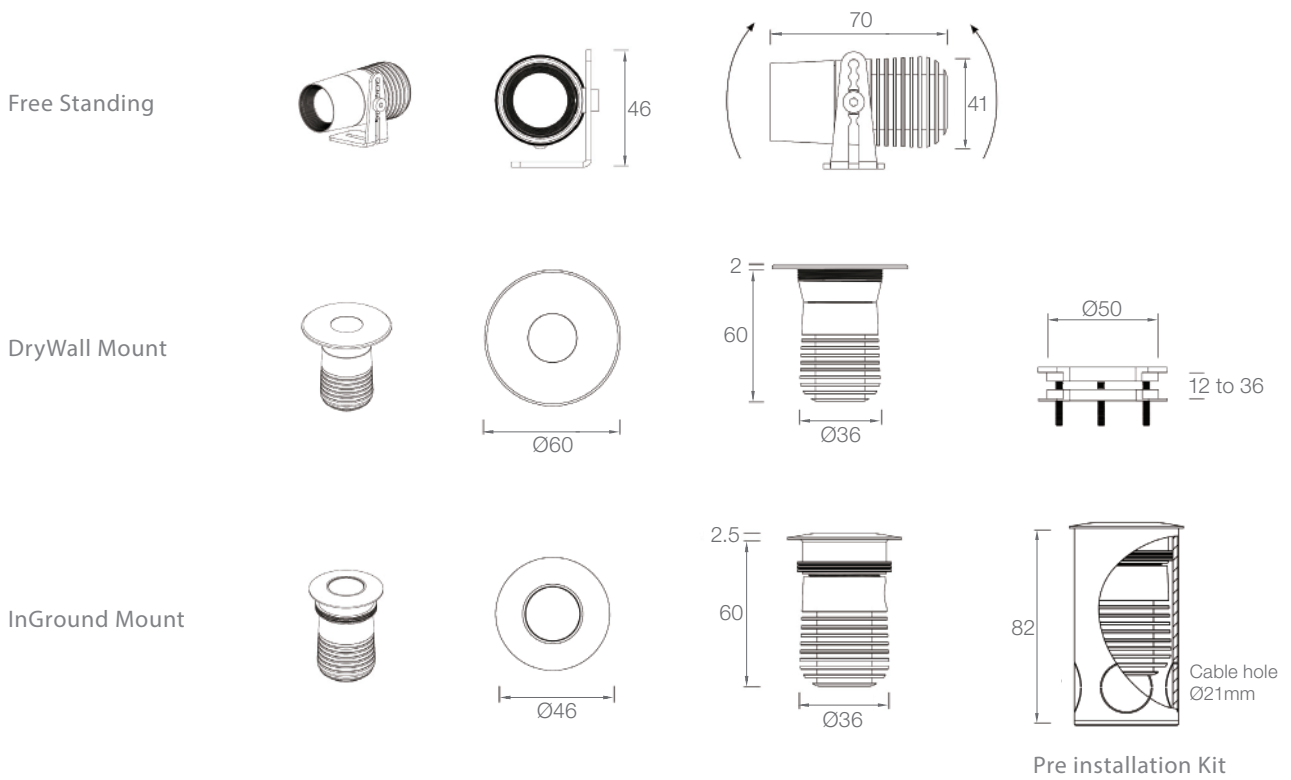


SPECIFICATION

MODEL	▶ MICRO SPOT
OPERATING CURRENT	▶ 700mA
POWER CONSUMPTION	▶ 2.86W Max
LED TYPE	▶ High Power LED
COLOR RANGE	▶ 2700K,3000K,3500K,4000K,5000K
CRI	▶ 90min
SYSTEM EFFICIENCY	▶ 85lm/W@3000K
FWHM	▶ 11°, 15°, 28°, 44°, 52°*12°
MATERIAL	▶ Aluminum + Tempered Glass
OPERATING TEMPERATURE	▶ -20°C ~ +55°C
STORAGE TEMPERATURE	▶ -25°C ~ +60°C
LIFE TIME	▶ 50,000 hours/L70 at 25°C
DIMENSIONS	▶ Φ41*70(H)mm, Φ60*60(H)mm, Φ46*60(H)mm
WATER PROOF	▶ IP67
CONTROL	▶ ON/OFF, DMX, 0-10V Dim
LIST	▶ CE

DIMENSIONS

Unit: mm



OPTIC SELECTION



11°

LED	Lumens	Watts	Efficacy
WHITE	212.53	2.93	72.53

CenterBeamLux	Illuminance at Distance
5656.60 lx	0.8m
1414.15 lx	1.7m
628.51 lx	2.5m
353.54 lx	3.3m
226.26 lx	4.2m
157.13 lx	5.0m

■ Ver. Spread: 11.6° ■ Horiz. Spread: 11.5°

3000K



15°

LED	Lumens	Watts	Efficacy
WHITE	252.97	2.99	84.60

CenterBeamLux	Illuminance at Distance
3485.29 lx	0.8m
871.32 lx	1.7m
387.25 lx	2.5m
217.83 lx	3.3m
139.41 lx	4.2m
96.81 lx	5.0m

■ Ver. Spread: 14.4° ■ Horiz. Spread: 14.5°